



Supporting you

1300 362 923

www.healthtec.com.au

## EXAMINATION TABLES

# GP3 Examination Table – All Electric

**Designed to comply with RACGP recommendations this electric HI-LO examination table fulfils the basic requirements of any practice**

The low minimum height of 450mm allows for easy access for elderly or incapacitated patients while the maximum height can quickly be achieved within seconds.

The electric operated backrest enables a comfortable seated or semi-reclined position while the leg section can be electrically adjusted between positive 30° tilt to negative 30° tilt within seconds to allow a greater range of clinical assessments and treatments.



### Features

- Electric Height Adjustment with footswitch
- X-Frame Scissor Lift action minimises pinch and crush points
- Independently Lockable Castors for full mobility
- Durable powder coated rust resistant frame
- High quality anti-microbial vinyl & CFC free foam
- 5 year warranty on frame & electrics
- Australian designed & manufactured

### Specifications

- 250kg Maximum Lifting Capacity (moving)
- 400kg Maximum Working Load (stationary)
- 450mm Minimum Height
- 950mm Maximum Height
- 710mm Table Width
- 2000mm Table Length
- Electric backrest adjustment +70°
- Electric legrest adjustment +30° to -30°



### Available options:



5102 – Procedure Arm



5114 – Gynae Leg Supports



6017 - Paper Towel Roll Holder



Established 1922

## Medical and Surgical Requisites Pty Ltd

Call within Brisbane 07 3859 2900  
Phone 1300medsurg (1300 633 787)

33 Fulcrum Street Richlands Queensland 4077  
Email medical@medsurg.com.au

www.medsurg.com.au  
Fax 07 3859 2995





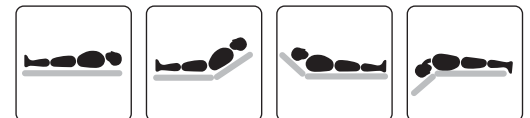
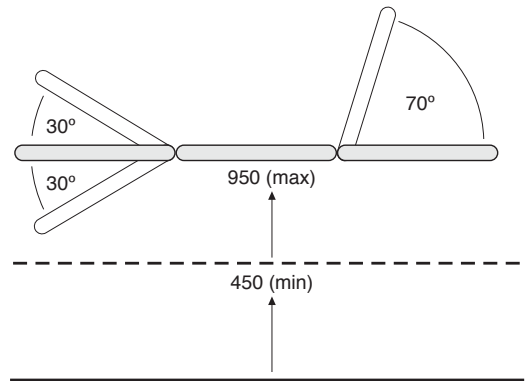
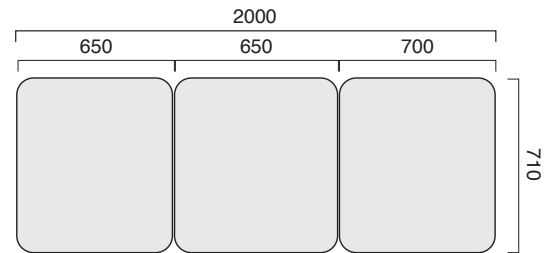
Supporting you

# PRICE SHEET

www.healthtec.com.au

## GP3 Examination Table – All Electric

	CODE	QTY
<b>Product Description</b>		
LynX GP3 Examination Table (710 wide) – All Electric w/castors	53661T-7AE	
<b>Width Options</b>		
770mm Width Option	-75	
Custom Width Option	6014	
<b>Foam &amp; Vinyl Options</b>		
75mm Comfort Foam	6005	
Non-Stock Vinyl Option	6018	
Leather Upgrade	6008	
*please refer to our colour chart for vinyl colour options		
<b>Nose Hole Options</b>		
Nose Hole – Examination Backrest	6011-2	
Nose Hole Plug	6010	
<b>Examination Options</b>		
Procedure Arm	5102	
Gynae Leg Supports	5120	
<b>Table Protection</b>		
Paper Towel Roll Holder	6017	
Disposable Fitted Bed Sheet – 10 per pac	ANWFIT	
<b>Extended Warranty</b>		
10 years Electrics	7800	
<b>Freight</b>		
Freight charges are not included in our prices. Please contact your Healthtec representative for freight costs and options.		
Shipping Dimensions	2050mm x 850mm x 650mm	
Shipping Weight	80kg (approximately)	



### Medical and Surgical Requisites Pty Ltd

Call within Brisbane 07 3859 2900 33 Fulcrum Street Richlands Queensland 4077 www.medsurg.com.au  
Phone 1300medsurg (1300 633 787) Email medical@medsurg.com.au Fax 07 3859 2995

